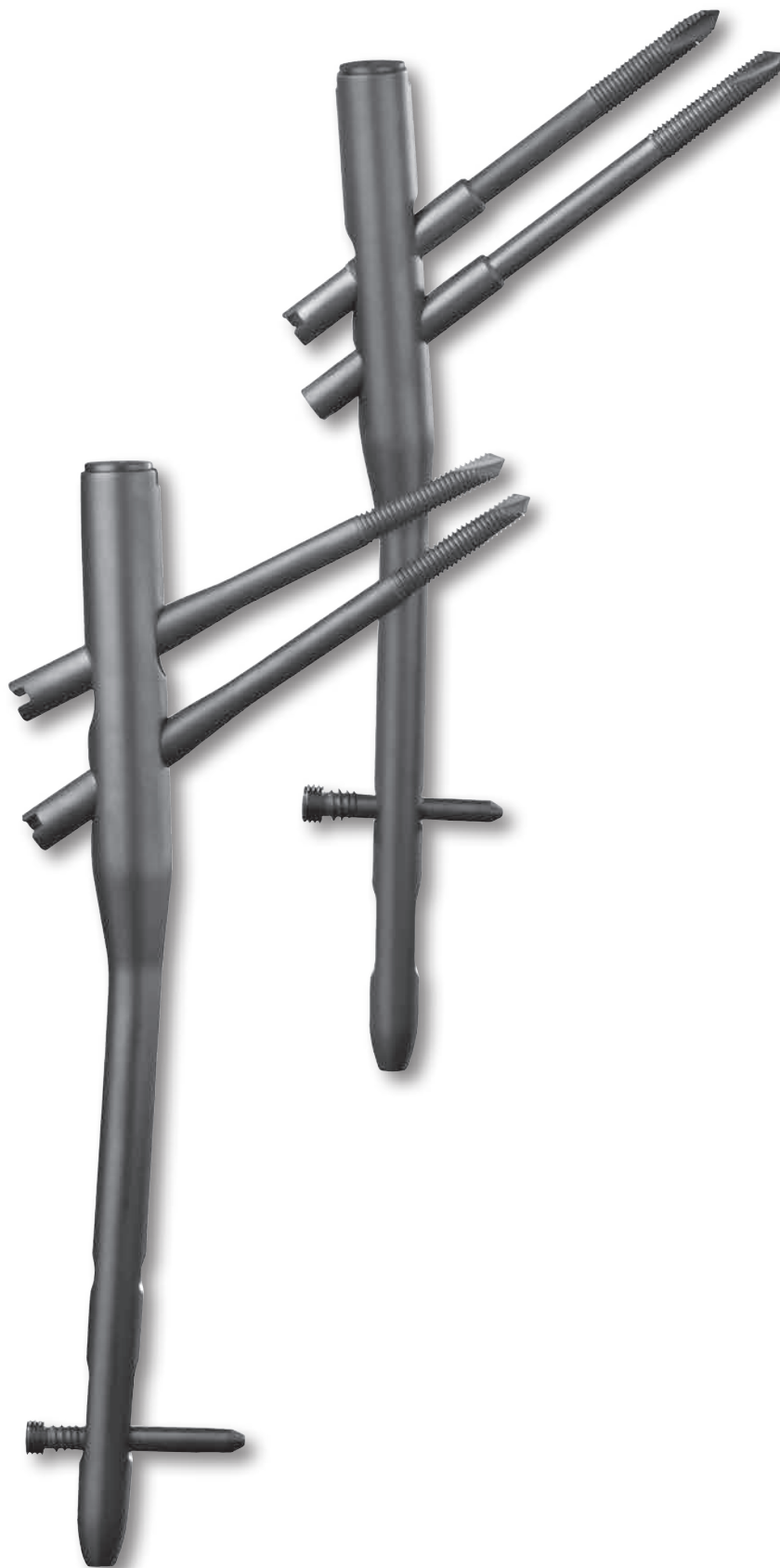


## H. Veronail Titanium Trochanteric Nail



Manufactured by:  
**ORTHOFIX Srl**  
Via Delle Nazioni 9, 37012 Bussolengo (Verona), Italy  
Telephone +39 045 6719000, Fax +39 045 6719380

See Operative Technique VN-0702-OPT  
"Orthofix Veronail Trochanteric Nail" for  
application instructions.

# 1. Nails and End Caps

1



Length  
(mm)

200      99-T79020

2



Length (mm)	Left	Length (mm)	Right
280	99-T79028L	280	99-T79028R
300	99-T79030L	300	99-T79030R
320	99-T79032L	320	99-T79032R
340	99-T79034L	340	99-T79034R
360	99-T79036L	360	99-T79036R
380	99-T79038L	380	99-T79038R
400	99-T79040L	400	99-T79040R
420	99-T79042L	420	99-T79042R
440	99-T79044L	440	99-T79044R

1

**Veronail Titanium Trochanteric Nail, sterile**

Proximal Ø 15mm

Distal Ø 10mm

99-T79401

Veronail Titanium Nail End Cap, sterile

2

**Veronail Titanium Trochanteric Long Nail, sterile**

Proximal Ø 15mm

Distal Ø 10mm

99-T79401

Veronail Titanium Nail End Cap, sterile



## 2. Cephalic Screws

1



Total Length (mm)		Total Length (mm)	
70	99-T79770	95	99-T79795
75	99-T79775	100	99-T79700
80	99-T79780	105	99-T79705
85	99-T79785	110	99-T79710
90	99-T79790	115	99-T79715

2



Total Length (mm)		Total Length (mm)	
70	99-T79670	95	99-T79695
75	99-T79675	100	99-T79600
80	99-T79680	105	99-T79605
85	99-T79685	110	99-T79610
90	99-T79690	115	99-T79615

1

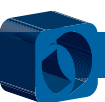
**Sliding Cephalic Screws, sterile**  
**Sleeve Ø 8.0mm**  
**Screw Thread Ø 7.0-6.5mm**  
**Colour: yellow**

Note: The yellow Sliding Screws are supplied with an integral sleeve that is screwed into the nail. Used for parallel configuration

2

**Fixed Cephalic Screws, sterile**  
**Shaft Ø 8.0mm**  
**Thread Ø 6.0-5.6mm**  
**Colour: green**

Note: Used for convergent configuration



### 3. Distal Locking Screws

1



Total Length (mm)		Total Length (mm)	
25	99-T79925	70	99-T79970
30	99-T79930	75	99-T79975
35	99-T79935	80	99-T79980
40	99-T79940	85	99-T79985
45	99-T79945	90	99-T79990
50	99-T79950	95	99-T79995
55	99-T79955	100	99-T79900
60	99-T79960	105	99-T79905
65	99-T79965	110	99-T79910

2



Total Length (mm)		Total Length (mm)	
30	99-T74530	75	99-T74575
35	99-T74535	80	99-T74580
40	99-T74540	85	99-T74585
45	99-T74545	90	99-T74590
50	99-T74550	95	99-T74595
55	99-T74555	100	99-T74500
60	99-T74560	105	99-T74505
65	99-T74565	110	99-T74510
70	99-T74570		

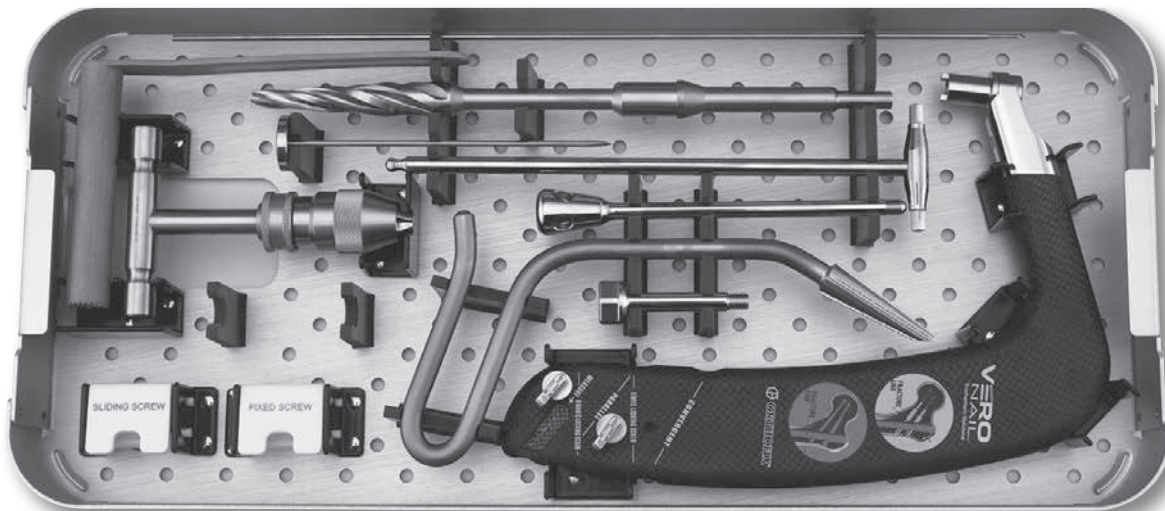
**1**  
Distal Standard Locking Screws, sterile  
Shaft Ø 4.8mm  
Thread Ø 6.8mm

**2**  
Distal Revision Locking Screws, sterile  
Shaft Ø 4.8mm  
Thread Ø 8.0mm

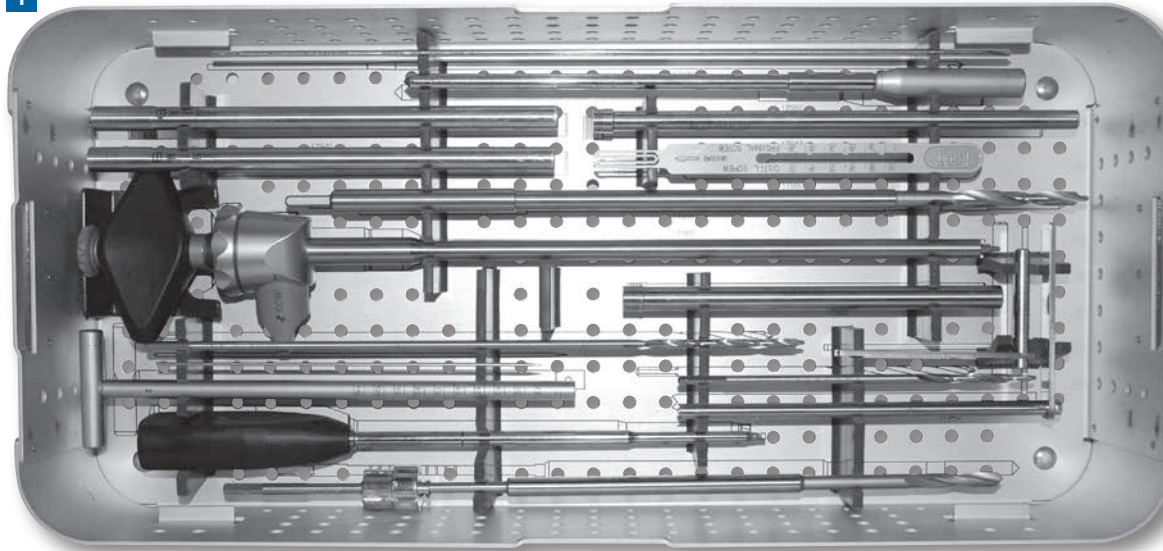
These are useful for distal locking when the bone is very osteoporotic or when freehand manoeuvres with long nails result in a slightly bigger hole in the distal lateral cortex



## 4. Sterilization Box



1



### 1 17995-2 Veronail Instruments Box II, empty

Can accommodate:

Base

- 2x17940 Cephalic Screw Guide
- 1x17942 Screw Guide
- 1x17943 Drill Guide
- 1x17944 Cephalic Wire Guide
- 1x17946 Calcar Drill Stop
- 1x17950 Trocar
- 1x17963 Cephalic Screwdriver
- 1x17970 Cephalic Drill Bit, Ø 7.5mm
- 1x17971 Optional Calcar Drill Bit, Ø 7.5mm
- 1x17980 Screw Ruler
- 1x173287 K-Wire 2x220mm
- 1x173320 Cannulated Screw Driver
- 1x1102001 Graduated Drill Bit 4.8x330mm
- 1x17652 Locking Screw Extractor
- 1x17976 Short Graduated Drill Bit 4.8x180mm
- 1x17949 Short Drill Guide
- 1x17972 Cephalic Wire 4x400mm

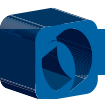
### Upper Tray

- 1x17915 Radiolucent Handle
- 1x17935 Insertion Knob
- 1x17930 Locking Rod
- 1x17975 Cannulated Awl
- 2x17926 Screw Guide Locking Cam
- 1x17955 Universal Chuck with T-Handle
- 1x17947 Protection Sleeve
- 1x17948 Wire Guide, 16mm/3.5mm, L 125mm
- 1x17973 3mm Trocar, 145mm
- 1x17974 Cannulated Drill Bit
- 1x17965 6mm Polyhedral T-Handle Wrench
- 1x173288 Wire 3x400mm
- 1x173276 Ruler Support (not illustrated)
- 1x17985 Veronail Ruler (not illustrated)
- 1x17986 Veronail Overlay Ruler (not illustrated)

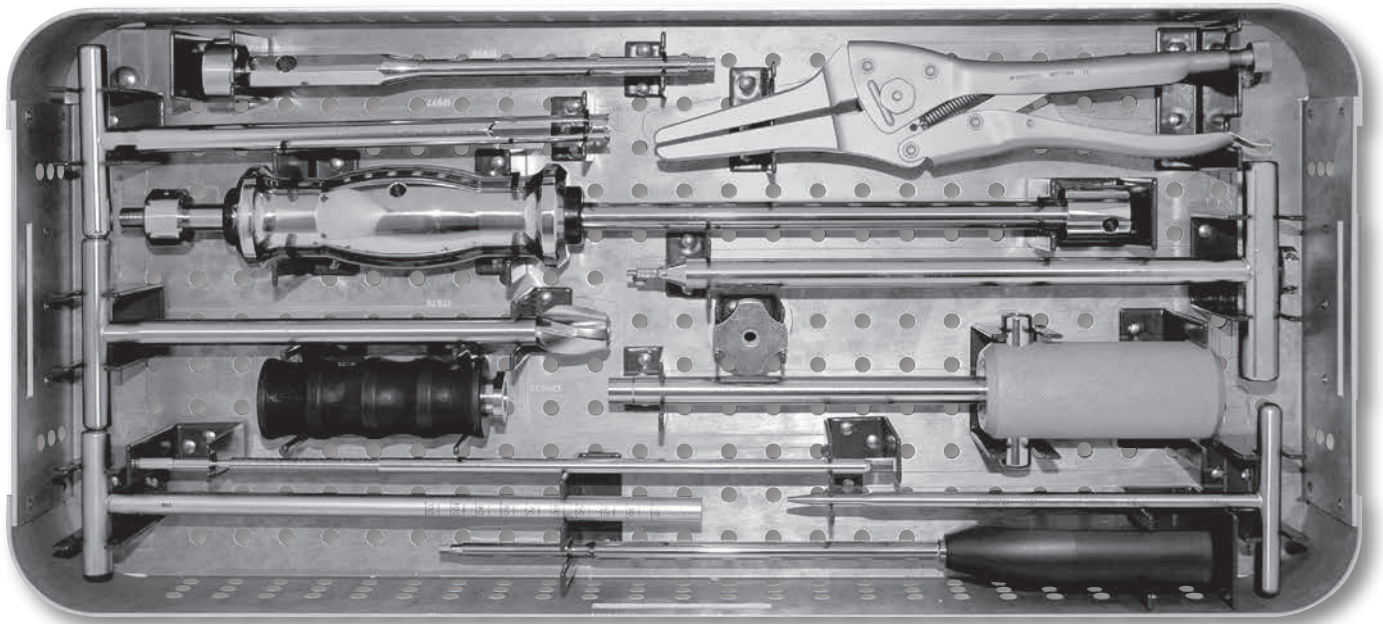
General Nailing Equipment independent of tray, not illustrated:

- 1x99-173281 Guide Wire 3x980 with olive, sterile
- 1x99-176281 Guide Wire 2.5x980 without olive, sterile
- 1x172001 Orthofix Flexible Reamer System Complete Kit  
*Consisting of:*  
Modular Reamer Heads (Ø 9-17mm) in 0.5mm increments  
Flexible Nitinol Reamers Shafts  
Adapter  
Cannulated Universal Chuck with T Handle  
Soft Tissue Protector  
Guide Wire Exchange Tube

### 17995C-2 Veronail Instruments Complete



## 5. Extraction Kit



2

### 2 17996 Veronail Trochanteric Extraction System Steribox, Empty

Can accommodate:

- 1x173370 Sliding Hammer
- 1x170035 Extractor Handle
- 1x17652 Locking Screw Extractor
- 1x173320 Cannulated Screw Driver
- 1x17936 Veronail Extractor
- 1x17966 Hex Screw Driver
- 1x17969 Needle Nose Locking Pliers - 9 1/2"
- 2x17968 Extractor Ø 2,5mm
- 1x17977 Manual Trephine
- 1x17978 Plier Cutter
- 1x17967 Sliding Screw Extractor (Kit)

Consisting of:

- Sliding Screw Extractor Handle
- Sliding Screw Extractor Rod  
with 3mm Wire
- Nut

Material out of the tray

- 1x173287 K-Wire Ø 2 x 200mm
- 1x173288 Threaded Wire 3 x 400mm

### 17996C Veronail Extraction Kit

