

L. Petrochanteric Fixator



1

1
**10048 Petrochanteric Fixator complete
with Allen Wrench 5mm**

See Brochure PC PER "The Orthofix
Petrochanteric Fixator" for application
instructions.



Manufactured by:
ORTHOFIX Srl
Via Delle Nazioni 9, 37012 Bussolengo (Verona), Italy
Telephone +39 045 6719000, Fax +39 045 6719380

1. Components/Replacements



1



2



3

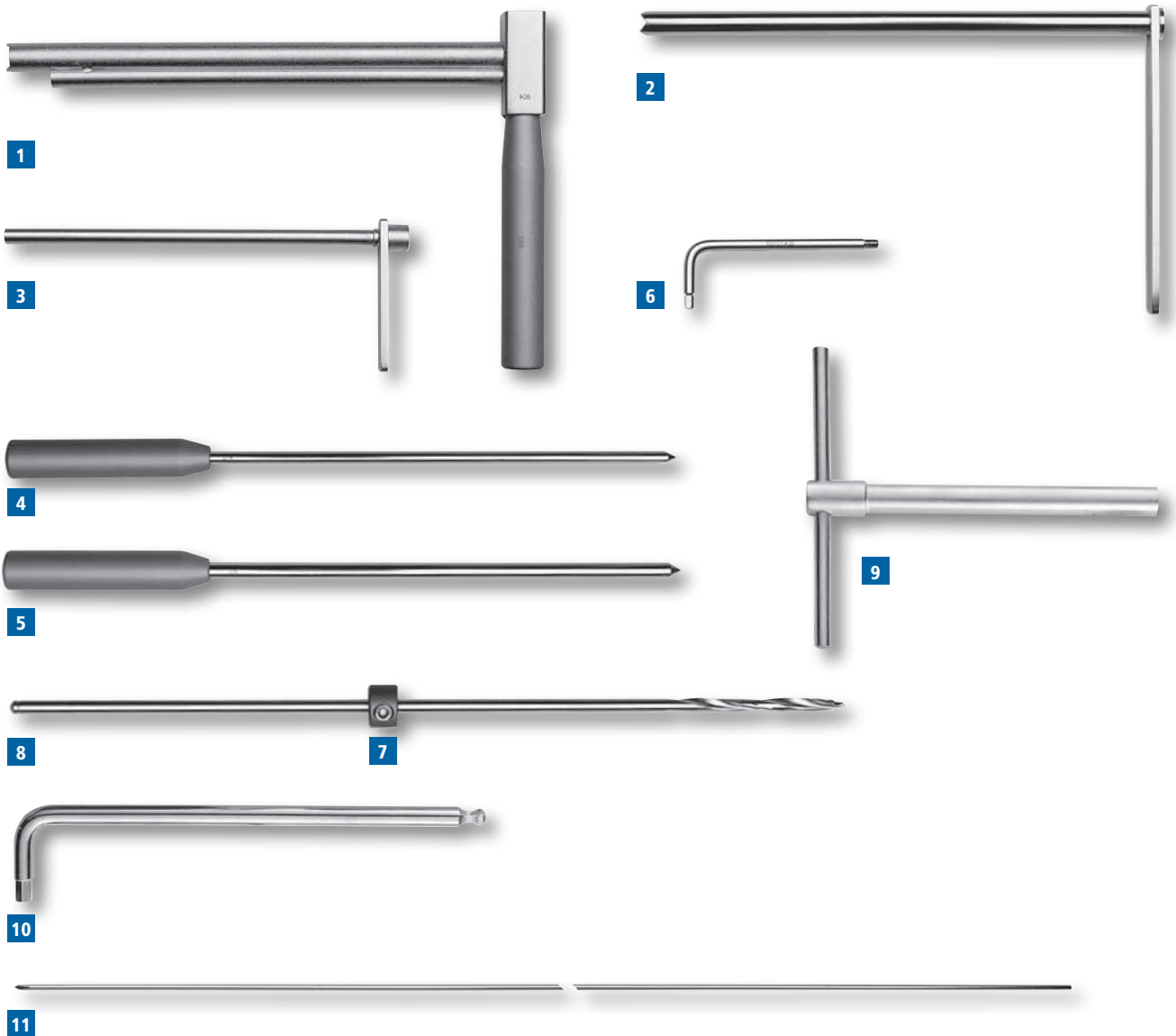
1
10050 Petrochanteric Fixator Angulation
Locking Screw

2
10053 Petrochanteric Fixator Rotation
Locking Screw

3
10051 Petrochanteric Fixator Distal
Rotation Locking Screw



2. Instrumentation



1
11126 Pertrochanteric Screw Guide
 Length 150mm
 Following insertion of the 2mm X-Wire (80122) along the femoral neck, ensures that the path of the proximal screw is exactly parallel to that of the X-Wire

2
11124 Screw Guide
 Length 160mm
 To be used only for insertion of the distal femoral neck screw

3
11125 Drill Guide Ø 4.8mm
 Length 140mm

4
11127 Trocar Ø 4.8mm
 Length 240mm
 Used within the drill guide to locate an appropriate position on the cortex

5
11129 Trocar Ø 6mm
 Length 240mm
 Used within the Pertrochanteric Screw Guide or the Screw Guide to locate an appropriate position on the cortex

6
10012 Allen Wrench 3mm

7
11005 Drill Bit Stop Unit Ø 4.8mm

8
1100701 Drill Bit Ø 4.8mm
 Length 280mm

11007 Drill Bit Kit Ø 4.8mm
 Consisting of: 1 Allen Wrench 3mm, 1 Drill Bit Stop Unit Ø 4.8, 1 Drill Bit length 280mm.

9
11000 T-Wrench
 Used to insert or remove bone screws

10
30017 Allen Wrench 5mm

11
80122 X-Wire without olive Ø 2mm
 Length 400mm

