

# K. Pelvic Fixator



## Pelvic Fixator Kits

### 1 10082 Short Fixator with ProCallus T-Clamps

Consisting of: 2 Primary Links (10087), 1 Pelvic Fixator Connecting Unit (10089), 2 Cams (10004), 2 Bushes (90005), 2 ProCallus T-Clamps (90007) and 1 Allen Wrench 6mm (10017)

### 2 10081 Long Fixator with ProCallus Straight Clamps

Consisting of: 2 Primary Links (10087), 1 Pelvic Fixator Supplementary Link (10088), 2 Pelvic Fixator Connecting Units (10089), 2 Cams (10004), 2 Bushes (90005), 2 ProCallus Straight Clamps (90006) and 1 Allen Wrench 6mm (10017).

### 3 10083 Long Fixator with Ball-Jointed Modules for Independent Screw Placement

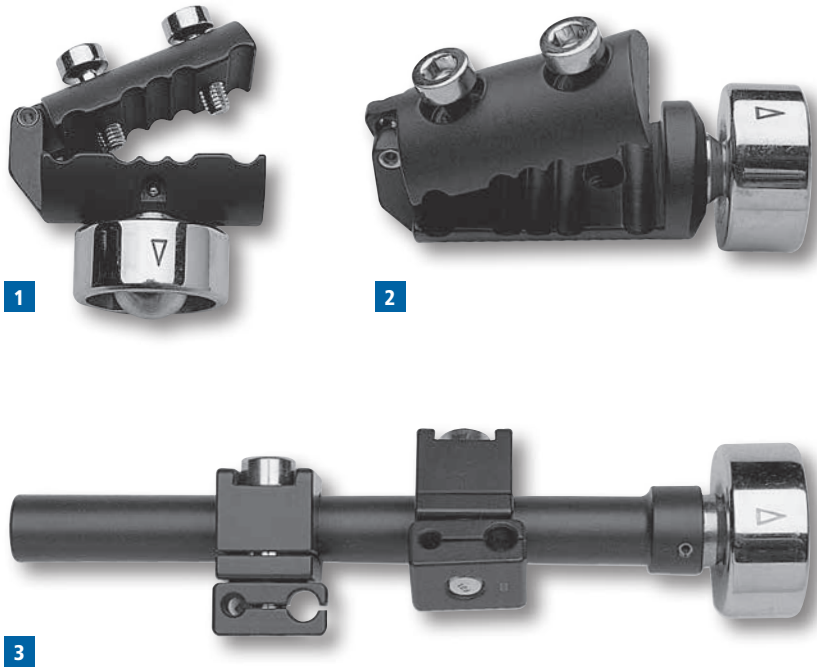
Consisting of: 2 Primary Links (10087), 1 Pelvic Fixator Supplementary Link (10088), 2 Pelvic Fixator Connecting Units (10089), 2 Cams (10004), 2 Bushes (90005), 2 Ball-Jointed Modules for Independent Screw Placement (10054) and 1 Allen Wrench 6mm (10017).

See Manual PM 080 and Quick Reference Guide PG 080 "Pelvic Applications: Fractures and Disruptions of the Pelvic Ring" for application instructions.



Manufactured by:  
**ORTHOFIX Srl**  
Via Delle Nazioni 9, 37012 Bussolengo (Verona), Italy  
Telephone +39 045 6719000, Fax +39 045 6719380

# 1. Ball-Jointed Modules



**1**  
**90007 ProCallus T-Clamp**  
For anterior applications.  
Acts as its own template for insertion of screws between the inferior and superior iliac spines.

**2**  
**90006 ProCallus Straight Clamp**  
For iliac crest applications.  
Acts as its own template for insertion of screws into the iliac crest.

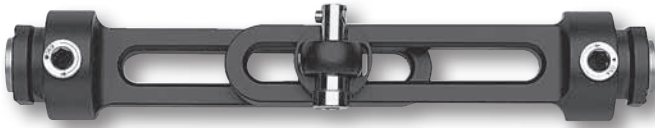
**3**  
**10054 Ball-Jointed Module for Independent Screw Placement**  
For iliac crest applications.  
Consisting of: 1 Bar with Ball-Joint and 2 Independent Screw Clamps.  
Enables screws to be placed freehand in chosen positions on the iliac crest.



## 2. Components/Replacements



1



2



3



4



5



6



7



8

**1**  
**10085 Pelvic Fixator Long Body**  
Consisting of: 2 Primary Links, 1 Pelvic Fixator  
Supplementary Link, 2 Pelvic Fixator  
Connecting Units, 2 Cams and 2 Bushes  
Maximum linear extension = 127mm

**2**  
**10086 Pelvic Fixator Short Body**  
Consisting of: 2 Primary Links, 1 Pelvic Fixator  
Connecting Unit, 2 Cams and 2 Bushes  
Maximum linear extension = 77mm

**3**  
**90005 Bush**

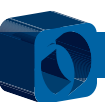
**4**  
**10004 Cam**

**5**  
**10089 Pelvic Fixator Connecting Unit**

**6**  
**10087 Primary Link**

**7**  
**10088 Pelvic Fixator Supplementary Link**

**8**  
**10055 Independent Screw Clamp**



### 3. Instrumentation



1



2



3

**1**  
**11141 Pelvic Screw Guide**

Length 100mm.

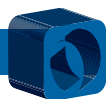
To prevent penetration of the inner or outer table of the ilium during screw insertion in iliac crest applications.

**2**  
**10017 Allen Wrench 6mm**

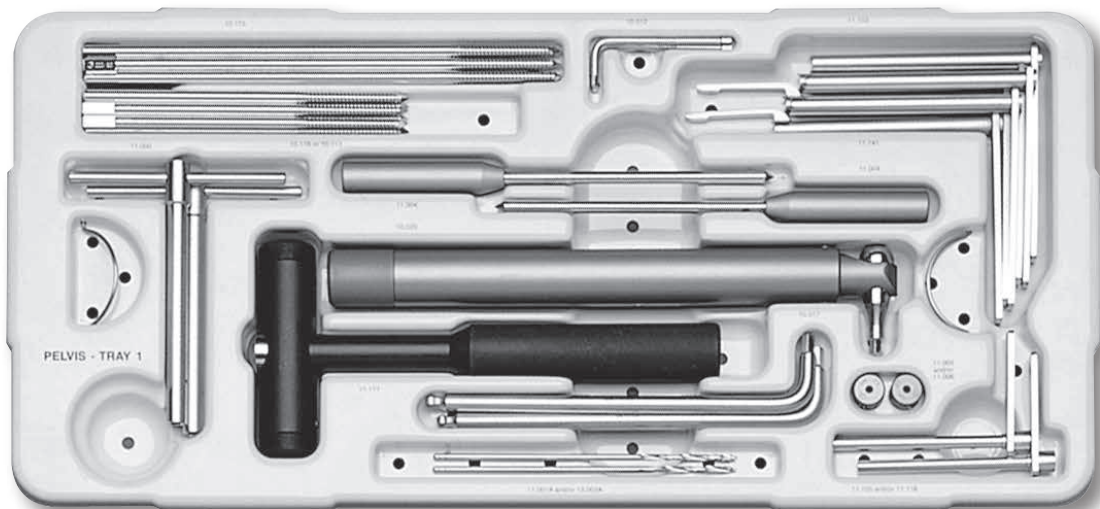
**3**  
**10025 Torque Wrench 6mm**

ONLY used for locking the cams of the ball-joints: it should be rotated clockwise until a click is heard

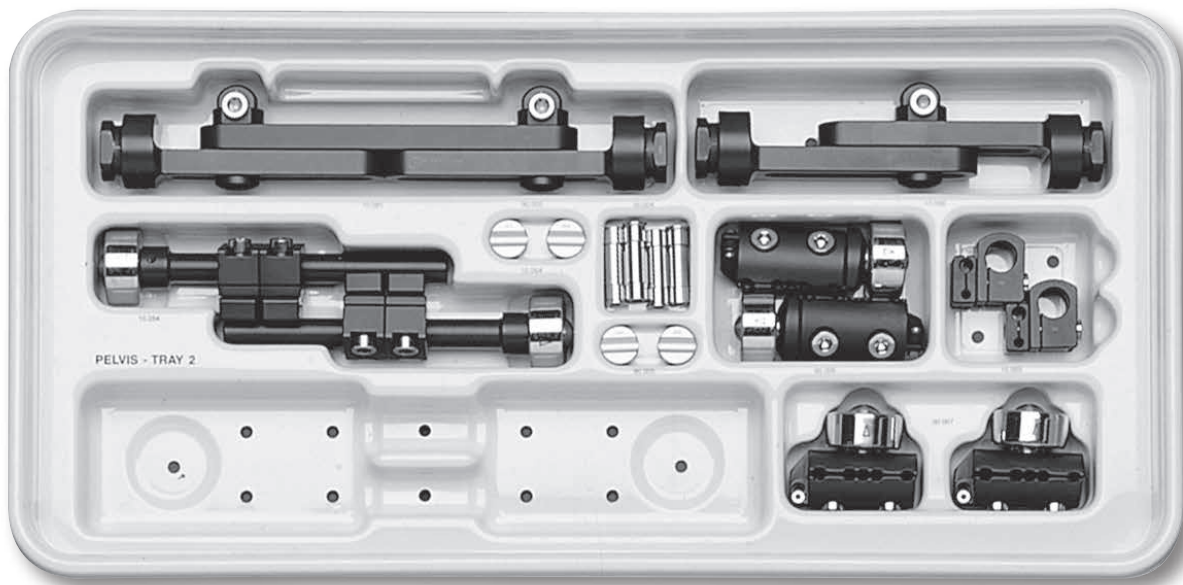
Note: See also instrumentation for bone screw insertion (section "Bone Screws")



## 4. Sterilization Box



1



### 1 12262 Pelvic Fixator Sterilization Box, empty

Can accommodate:

Upper Tray

- 6x10173 Self-drilling Cortical Screw, shaft Ø 6mm, thread Ø 6-5mm, total length 220mm, thread length 50mm
- 6x10113 Self-drilling Cortical Screw, shaft Ø 6mm, thread Ø 6-5mm, total length 150mm, thread length 50mm
- 4x11102 Screw Guide, length 60mm  
or
- 4x11103 Screw Guide, length 100mm
- 2x11141 Pelvic Screw Guide, length 100mm
- 2x11000 T-Wrench
- 2x11004 Tapered Trocar
- 1x10025 Torque Wrench 6mm

- 1x11111 Hammer
- 2x10017 Allen Wrench 6mm
- 2x13003 Drill Bit Kit Ø 3.2mm  
Consisting of: 1 Drill Bit 140mm Ø 3.2mm; 1 Drill Bit Stop Unit Ø 3.2mm;
- 2x11106 Drill Guide, Ø 3.2mm, length 40mm  
or
- 2x11116 Drill Guide, Ø 3.2mm, length 80mm

Lower Tray

- 1x10085 Pelvic Fixator Long Body Assembled  
Consisting of: 2 Primary Links; 1 Pelvic Fixator Supplementary Link; 2 Pelvic Fixator Connecting Units; 2 Cams; 2 Bushes
- 1x10086 Pelvic Fixator Short Body Assembled Consisting of: 2 Primary Links; 1 Pelvic Fixator

- 2x10054 Connecting Units; 2 Cams; 2 Bushes
- 2x10054 Ball-Jointed Module for Independent Screw Placement
- 2x10055 Independent Screw Clamp
- 2x90006 ProCallus Straight Clamp
- 2x90007 ProCallus T-Clamp

Free space is available for other accessories

