

## B. Percutaneous Compression Plate (P.C.C.P)



1

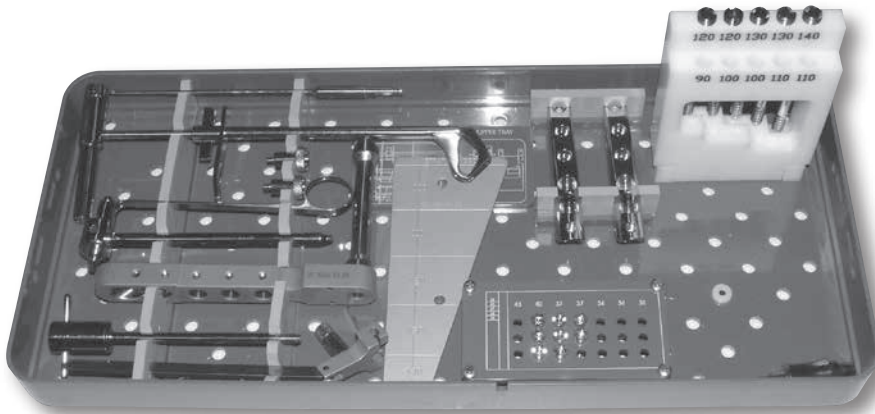
**1**  
**181000 Gotfried P.C.C.P Plate**  
**99-181000 Gotfried P.C.C.P Plate, sterile**

(See Manual PM PCP "The Gotfried P.C.C.P  
for Percutaneous Compression Plating  
of Petrochanteric Hip Fractures"  
for application instructions)



Manufactured by:  
**ORTHOFIX Srl**  
Via Delle Nazioni 9, 37012 Bussolengo (Verona), Italy  
Telephone +39 045 6719000, Fax +39 045 6719380

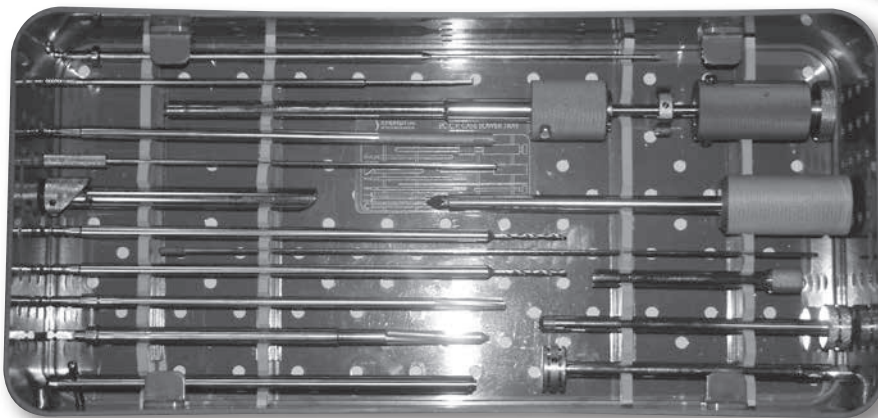
# 1. Instrumentation



1



2

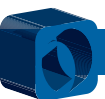


## 1 180000 Gotfried PC.C.P instrument set

- 1x184000 Neck Screwdriver
- 1x185000Q Shaft Screwdriver
- 1x186000Q 7.0 mm Drill Bit
- 1x187000Q 9.3 mm Drill Bit
- 2x188000Q Shaft Step Drill
- 1x189000Q Main Guide
- 1x190000 Quick Coupler
- 1x191000 Introducer
- 1x192000 Butterfly Screw
- 1x193000Q Butterfly Pin
- 2x194000 Bolt
- 1x195000 Main Sleeve
- 1x196000 Neck First Sleeve
- 1x197000 Neck Second Sleeve
- 1x198000 Trocar - Neck
- 1x199000 Gauge Aluminium
- 1x200000 Impactor
- 1x201200 Aiming Guide
- 1x202000 Bone Hook Adapter
- 1x203000 Shaft Sleeve

- 1x204000Q Trocar - Shaft
- 1x205000 Depth Gauge
- 1x206000 Skin Retractor
- 1x207000 Bone Hook
- 1x208000 Fixation Wire
- 1x209000 PC.C.P Instrument Case empty

## 2 210000 PC.C.P Template



## 2. Screws



Total Length (mm)		Total Length (mm)	
90	<b>182090</b>	120	<b>182120</b>
100	<b>182100</b>	130	<b>182130</b>
110	<b>182110</b>	140	<b>182140</b>



Total Length (mm)		Total Length (mm)	
31	<b>183531</b>	40	<b>183540</b>
34	<b>183534</b>	43	<b>183543</b>
37	<b>183537</b>	46	<b>183546</b>



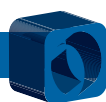
Total Length (mm)		Total Length (mm)	
31	<b>183031</b>	40	<b>183040</b>
34	<b>183034</b>	43	<b>183043</b>
37	<b>183037</b>	46	<b>183046</b>

**1**  
Gotfried PC.C.P Neck Screws

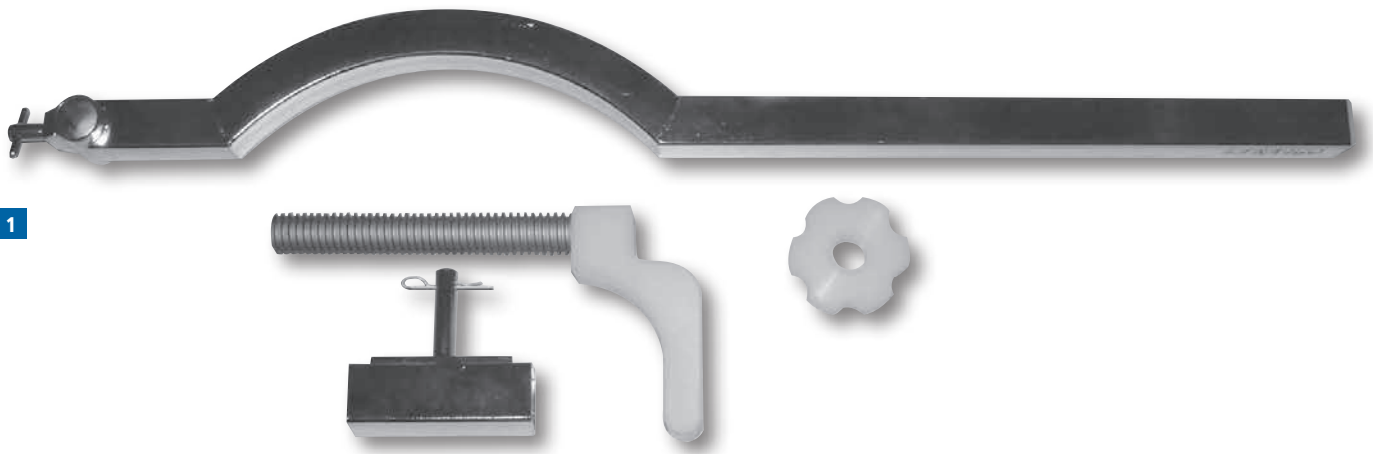
**2**  
Gotfried PC.C.P Shaft Screws  
Pack of 5

**3**  
Gotfried PC.C.P Shaft Screws

Note: All screws are also available packaged sterile. They can be ordered using the above code numbers preceded by 99- (e.g. 99-182090)



### 3. Ancillary Equipment



1

#### 1 110000 PORD Device

Consisting of:

- Horizontal Bar
- Box Bracket
- Limb Support
- Nut

(See PM PRD "PORD Posterior Reduction Device for Hip and Femoral Fractures" and Brochure PC PRD for application instructions)

