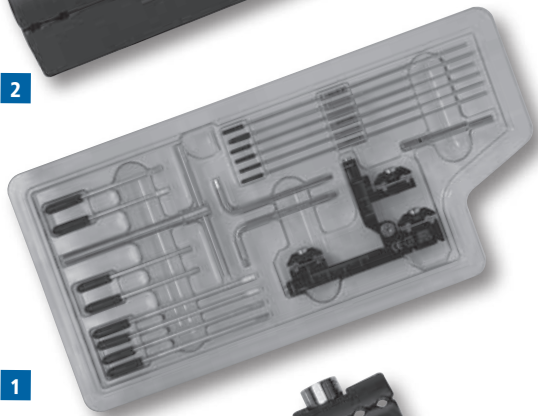


Q. Minirail System



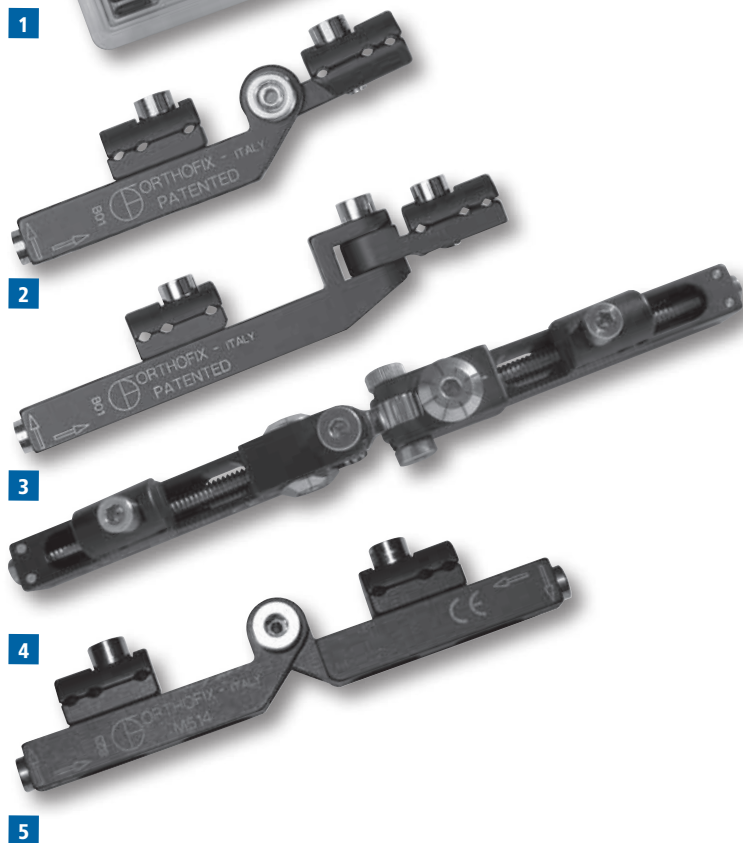
MiniRail Lengtheners

- 1**
M102 Long
Allows lengthening up to 135.5mm.
- 2**
M101 Standard
Allows lengthening up to 57.5mm.
- 3**
M103 Short
Allows lengthening up to 32.5mm.



Articulated MiniRail Fixators

- 1**
99-M1450 Calcaneal Minifixator Kit, sterile
Consisting of: 1 Calcaneal External Fixator (M145), 2 3mm Allen Wrench (10012), 1 T-Wrench (M210), 1 Driver (M211), 1 Calcaneal Template Kit (6 Wire, 6 Wire Guide, 6 Pin Guide) (M224), 2 Pin 70/15 (M321), 2 Pin 70/25 (M315), 4 Pin 100/30 (M317)
- 2**
M111 Horizontal Axis
Allows articulation round an axis parallel to the bone screws.
- 3**
M122 Vertical Axis
Allows articulation round an axis at vertical to the bone screws
- 4**
M511 Multiplanar Axis
Allows gradual correction around two axes, either parallel or at 90 degrees to the bone screws
- 5**
M514 Articulated Minirail Fixator Horizontal



1. Components/Replacements



1



2



3



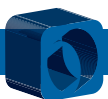
4

1
M104 MiniRail Lengthener T-Clamp

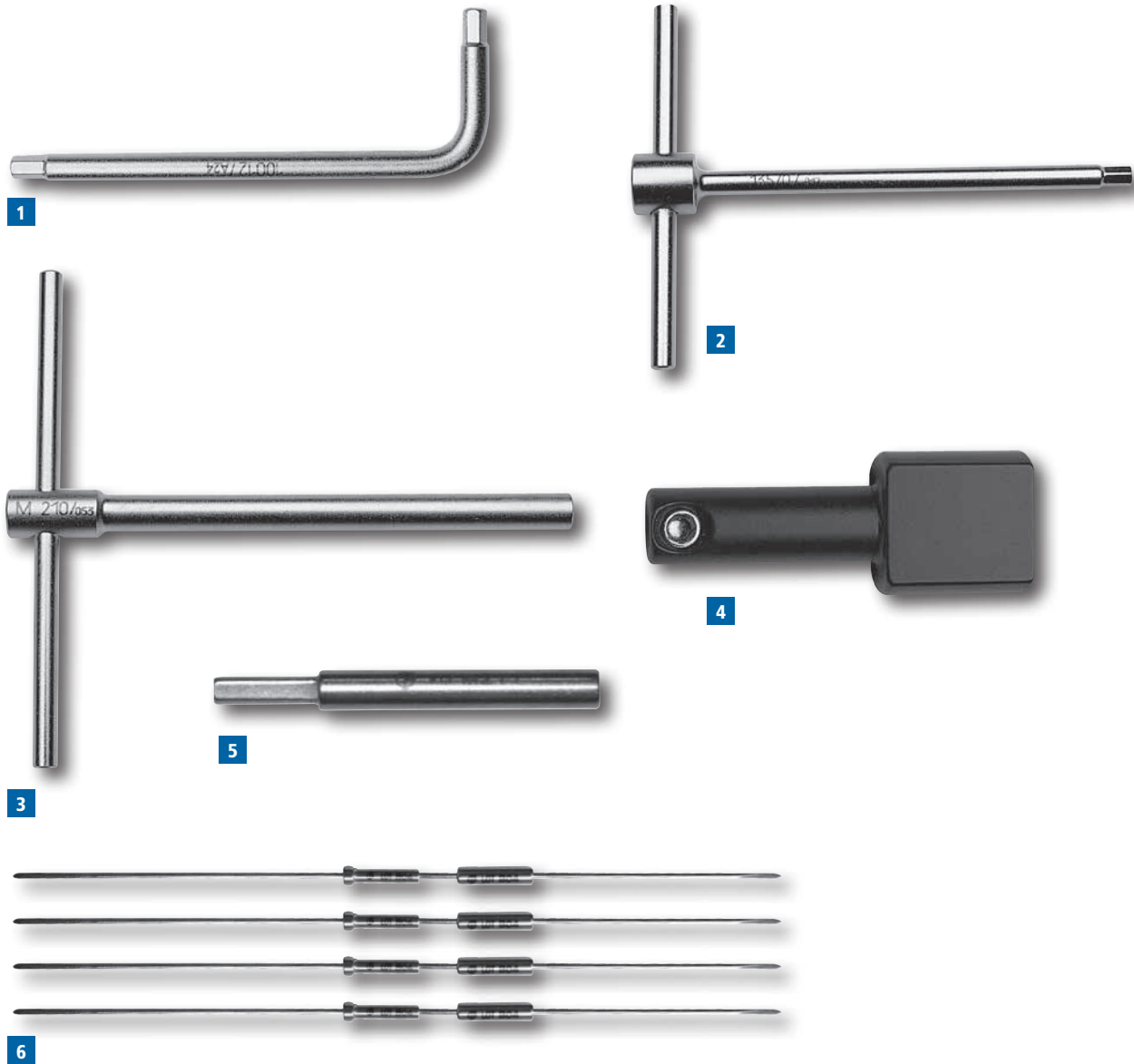
2
M138 MiniRail Lengthener/Fixator Clamp
Cover

3
M132 MiniRail Lengthener/Fixator Clamp
Cover Screw

4
M203 MiniRail Non-Swivel Clamp Cover



2. Instrumentation



1
10012 Allen Wrench 3mm

2
13570 T-Wrench
For Clamp screw

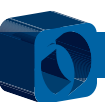
3
M210 T-Wrench
For Bone screws

4
M442 Threaded Wire Extractor

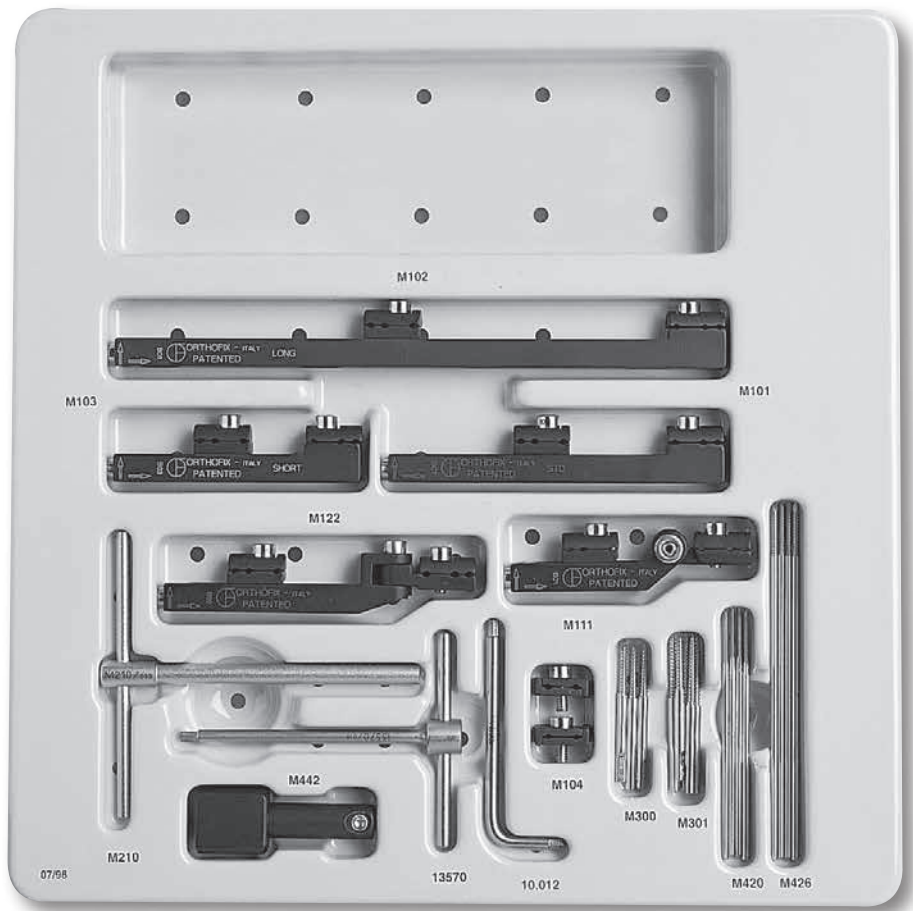
5
M211 Driver

6
M225 Template Kit
Consisting of:
4 Wire, 4 Wire Guide, 4 Pin Guide

7
M224 Calcaneal Template Kit
(not illustrated)
Consisting of:
6 Wire, 6 Wire Guide, 6 Pin Guide



3. Sterilization Box



1

1 M190 MiniRail System Sterilization Box, empty

Can accommodate:

- 1xM101 MiniRail Standard Lengthener
- 1xM102 MiniRail Long Lengthener
- 1xM103 MiniRail Short Lengthener
- 1xM111 Articulated MiniRail Fixator - Horizontal Axis
- 1xM122 Articulated MiniRail Fixator - Vertical Axis
- 1xM210 T-Wrench for Bone Screws
- 1x13570 T-Wrench for Clamp Screws
- 1x10012 Allen Wrench 3mm
- 1xM442 Threaded Wire Extractor
- 2xM104 MiniRail Lengthener T-Clamp
- 4xM300 Self-drilling Cortical Screws shaft \varnothing 3mm, thread \varnothing 2.5-2mm, total length 40mm, thread length 15mm

- 4xM301 Self-drilling Cortical Screws shaft \varnothing 3mm, thread \varnothing 2.5-2mm, total length 45mm, thread length 20mm
- 1xM420 Threaded Wires \varnothing 1.6mm (pack of 4), total length 70mm, thread length 15mm
- 1xM426 Threaded Wires \varnothing 2.0mm (pack of 4), total length 100mm, thread length 15mm

Free spaces are available for other accessories

