

# M. Elbow Fixator



## **1** **10070 Elbow Fixator with ProCallus** **Straight Clamps**

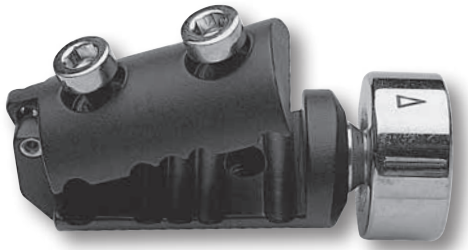
Consisting of: 2 Primary Links (10087),  
1 Elbow Fixator Central Connecting Unit  
(10071), 2 Cams (10004), 2 Bushes (90005),  
1 Elbow Fixator Small Distractor (10072),  
2 ProCallus Straight Clamps (90006),  
1 pair of Elbow Fixator Compression-  
Distraction Unit Spacers (10076), 1 Long  
Compression-Distraction Unit (10009),  
1 Allen Wrench 6mm (10017) and 1 Allen  
Wrench 3mm (10012).

See Quick Reference Guide PG 13 "The Elbow  
Fixator - Part A: Acute Trauma; and Part B:  
Post-Traumatic Stiffness" for application  
instructions.



Manufactured by:  
**ORTHOFIX Srl**  
Via Delle Nazioni 9, 37012 Bussolengo (Verona), Italy  
Telephone +39 045 6719000, Fax +39 045 6719380

## 1. Ball-Jointed Modules

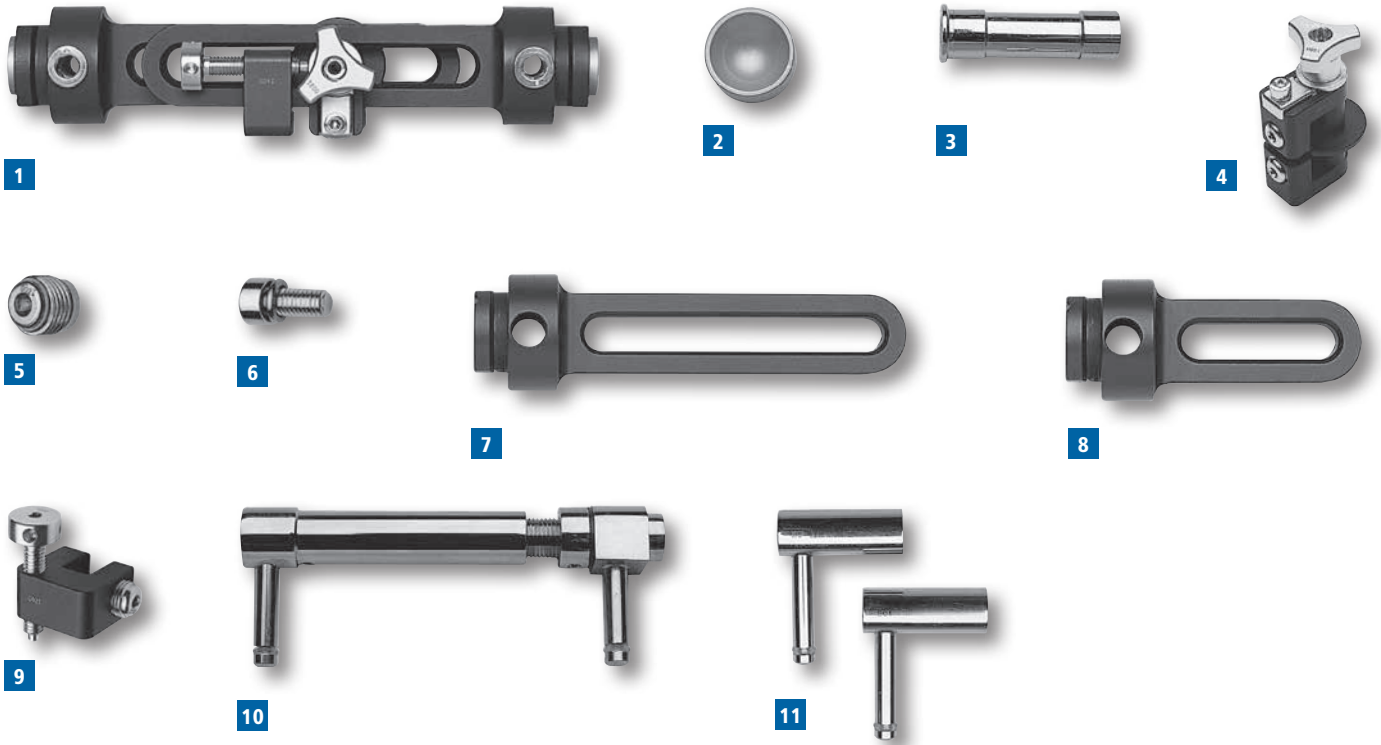


**1**  
**90006 ProCallus Straight Clamp**  
Acts as its own template for insertion of screws in the humerus and ulna.

**2**  
**90090 Elbow Extended Range Clamp**  
Acts as its own template for screw insertion in the ulna. It is used when a wider choice of angle for screw placement is necessary.



## 2. Components/Replacements



**1**  
**10074 Elbow Fixator Central Body**  
 Consisting of:  
 2 Primary Links  
 1 Elbow Fixator Central Connecting Unit  
 1 Elbow Fixator Small Distractor  
 2 Cams and 2 Bushes

**2**  
**90005 Bush**

**3**  
**10004 Cam**

**4**  
**10071 Elbow Fixator Central Connecting Unit**

**5**  
**10073 Elbow Fixator Link Locking Screw**

**6**  
**M135 Plate Locking Screw**

**7**  
**10087 Primary Link**  
 Length 130mm

**8**  
**10077 Short Primary Link**  
 Length 100mm

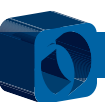
**9**  
**10072 Elbow Fixator Small Distractor**

**10**  
**Compression-Distraction Units**  
**10008 Standard**  
 Extends to 4cm

**10009 Long**  
 Extends to 8cm

**10030 Short**  
 Extends to 2.75cm

**11**  
**10076 Elbow Fixator Compression-Distraction Unit Spacers (1 pair)**



### 3. Instrumentation



1



2



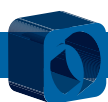
3

**1**  
**Allen Wrench**  
10012 3mm  
10017 6mm

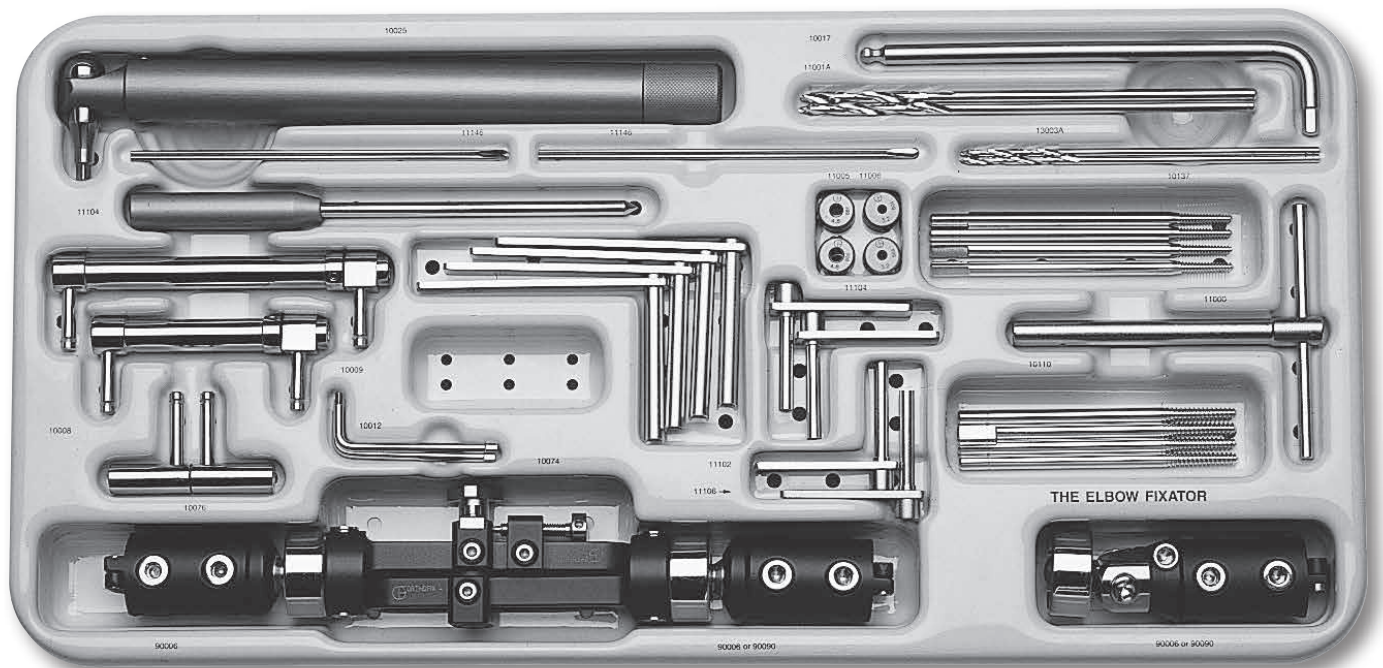
**2**  
**10025 Torque Wrench 6mm**  
ONLY used for locking the cams of the ball-joints: it should be rotated clockwise until a click is heard

**3**  
**11146 X-Wire without olive Ø 2mm**  
Length 150mm.

Note: See also instrumentation for bone screw insertion (section "Bone Screws")



## 4. Sterilization Box



1

### 1 12270 Elbow Fixator Sterilization Box, empty

Can accommodate:

- 1x10070 Elbow Fixator with ProCallus Straight Clamps
- 1x90090 Elbow Extended Range Clamp
- 1x10008 Compression-Distractor Unit Standard, extends to 4cm
- 4x11102 Screw Guide, length 60mm
- 2x11106 Drill Guide, Ø 3.2mm, length 40mm
- 2x11104 Drill Guide, Ø 4.8mm, length 40mm
- 2x13003 Drill Bit Kit Ø 3.2mm  
*Consisting of: 1 Allen Wrench 3mm, 1 Drill Bit Stop Unit Ø 3.2mm, 1 Drill Bit 140mm Ø 3.2mm.*
- 2x11001 Drill Bit Kit Ø 4.8mm  
*Consisting of: 1 Allen Wrench 3mm, 1 Drill Bit Stop Unit Ø 4.8mm, 1 Drill Bit 180mm Ø 4.8mm.*

- 1x10025 Torque Wrench 6mm
- 1x11004 Tapered Trocar
- 1x11000 T-Wrench
- 4x11146 X-Wire without olive Ø 2.0mm, length 150mm
- 4x10137 Cortical Screw, shaft Ø 6mm, thread Ø 4.5-3.5mm, total length 120mm, thread length 20mm  
*or*
- 4x10135 Cortical Screw, shaft Ø 6mm, thread Ø 4.5-3.5mm, total length 100mm, thread length 20mm
- 4x10110 Cortical Screw, shaft Ø 6mm, thread Ø 6-5mm, total length 110mm, thread length 30mm  
*or*
- 4x10162 Cortical Screw, shaft Ø 6mm, thread Ø 6-5mm, total length 100mm, thread length 30mm

Free space is available for other accessories.

