



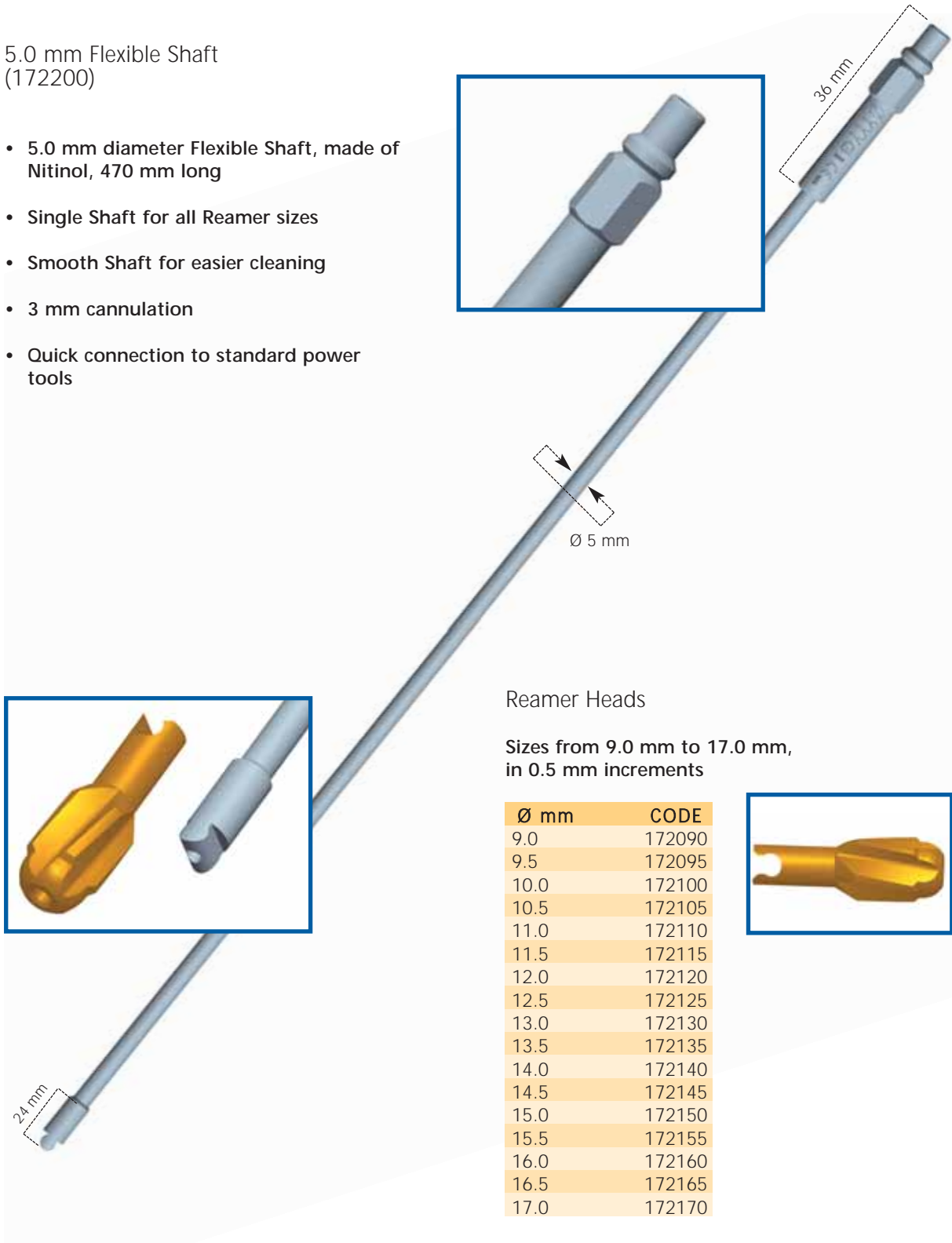
**Orthofix  
Flexible Reamer System  
(Femur and Tibia)**

- 
- 1 FEATURES AND BENEFITS**
  - 2**
  - 3 CLEANING, DISINFECTION,  
STERILISATION AND MAINTAINANCE  
OF INSTRUMENTATION**
  - 4 EQUIPMENT REQUIRED**
  - 5 OPERATIVE TECHNIQUE**

## FEATURES AND BENEFITS

5.0 mm Flexible Shaft  
(172200)

- 5.0 mm diameter Flexible Shaft, made of Nitinol, 470 mm long
- Single Shaft for all Reamer sizes
- Smooth Shaft for easier cleaning
- 3 mm cannulation
- Quick connection to standard power tools



### Reamer Heads

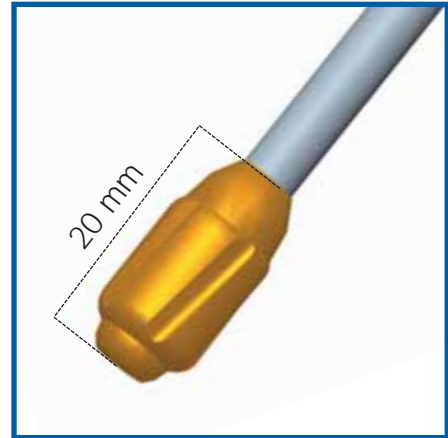
Sizes from 9.0 mm to 17.0 mm,  
in 0.5 mm increments

Ø mm	CODE
9.0	172090
9.5	172095
10.0	172100
10.5	172105
11.0	172110
11.5	172115
12.0	172120
12.5	172125
13.0	172130
13.5	172135
14.0	172140
14.5	172145
15.0	172150
15.5	172155
16.0	172160
16.5	172165
17.0	172170



Monobloc Flexible Reamers  
(172080 and 172085)

- Sizes 8.0 mm and 8.5 mm
- 5.0 mm diameter Flexible Shaft, made of Nitinol, 470 mm long with fixed instead of incorporated Reamer Head
- Smooth Shaft for easier cleaning
- 3 mm cannulation
- Quick connection to standard power tools



Guide Wire With Olive, 3 mm Diameter,  
980 mm Long, Sterile  
(99-173281)

- Olive diameter 4 mm
- Secures connection between the Reamer head and the flexible shaft
- Guides the flexible shaft through the fracture site
- Must be used with all flexible reamers





Universal Chuck With T-Handle  
(17955)

Used to insert the Guide Wire in the medullary canal.



Flexible Shaft Adapter  
(172210)

Quick connection to flexible shaft and fits to standard power tools.



Soft Tissue Protector  
(172220)

Protects the soft tissues during reaming.

## CLEANING, DISINFECTION, STERILISATION AND MAINTAINANCE OF INSTRUMENTATION

Orthofix supplies the Flexible Reamer System NON-STERILE and it therefore must be cleaned before use. The full cleaning, disinfection and sterilisation cycle must be followed before each use, as described in the instructions for use PQ FRS and PQ ISP.

NB: Disassemble all instruments for thorough cleaning and disinfection prior to sterilization.

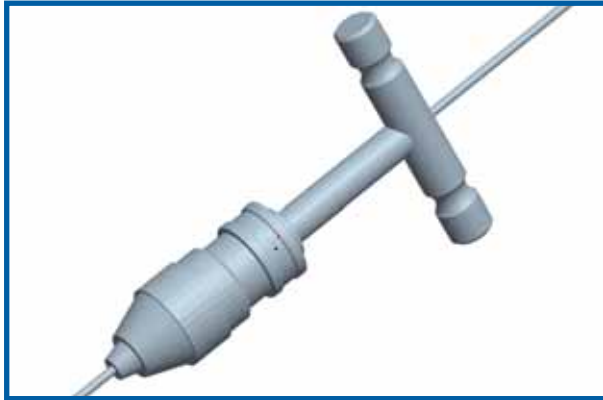
## EQUIPMENT REQUIRED

**172001 Flexible Reamer System Box, Complete**

Consisting of:

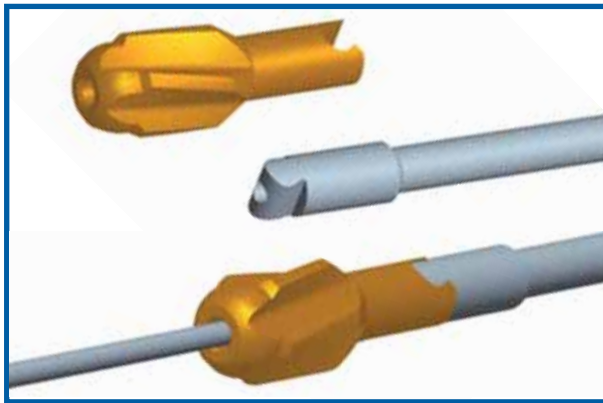
1x172991	Flexible Reamer System Box, empty	2x172200	Flexible Reamer Shafts
1x172090	Modular Reamer Head Ø 9 mm	1x172080	Monobloc Flexible Reamer Ø 8 mm
1x172095	Reamer Head Ø 9.5 mm	1x172085	Monobloc Flexible Reamer Ø 8.5 mm
1x172100	Reamer Head Ø 10 mm	1x172210	Flexible Shaft Adapter
1x172105	Reamer Head Ø 10.5 mm	1x17955	Universal Chuck with T-Handle
1x172110	Reamer Head Ø 11 mm	1x172220	Soft Tissue Protector
1x172115	Reamer Head Ø 11.5 mm		
1x172120	Reamer Head Ø 12 mm		
1x172125	Reamer Head Ø 12.5 mm		
1x172130	Reamer Head Ø 13 mm		
1x172135	Reamer Head Ø 13.5 mm		
1x172140	Reamer Head Ø 14 mm		
1x172145	Reamer Head Ø 14.5 mm		
1x172150	Reamer Head Ø 15 mm		
1x172155	Reamer Head Ø 15.5 mm		
1x172160	Reamer Head Ø 16 mm		
1x172165	Reamer Head Ø 16.5 mm		
1x172170	Reamer Head Ø 17 mm		

**99-173281 3 mm Guide Wire with Olive, 980 mm long, Sterile**



*operative technique*

Insert the 3.0 mm Guide Wire with Olive (99-173281) down the medullary canal, using an image intensifier to cross the fracture site, and check that the position of the guide wire is correct when fully inserted. The Universal Chuck with T-Handle (17955) may be used to insert the guide wire manually. Check the position of the guide wire frequently to prevent unintended guide wire advancement and penetration into the surrounding tissues.



The width of the isthmus is determined by pre-operative X-ray examination. The Reamer Head with the smallest diameter is used for initial reaming of the intramedullary canal. Attach the Reamer Head to the Flexible Shaft (172200) and insert them over the Guide Wire.

**NOTE:** In the Flexible Reamers with diameter 8.0 mm (172080) and 8.5 mm (172085) the head is fixed to instead of incorporated into the shaft.



Insert the Flexible Shaft Adapter (172210) to the Flexible Shaft and attach a standard power tool for reaming. The Soft Tissue Protector (172220) may be used to protect the soft tissue during reaming. Direct connection is possible if the power tool has an AO connection.

**INSTRUMENTATION**



**99-173281**  
3.0 mm Guide Wire with Olive, 980 mm long



**17955**  
Universal Chuck with T-Handle



**172210**  
Flexible Shaft Adapter

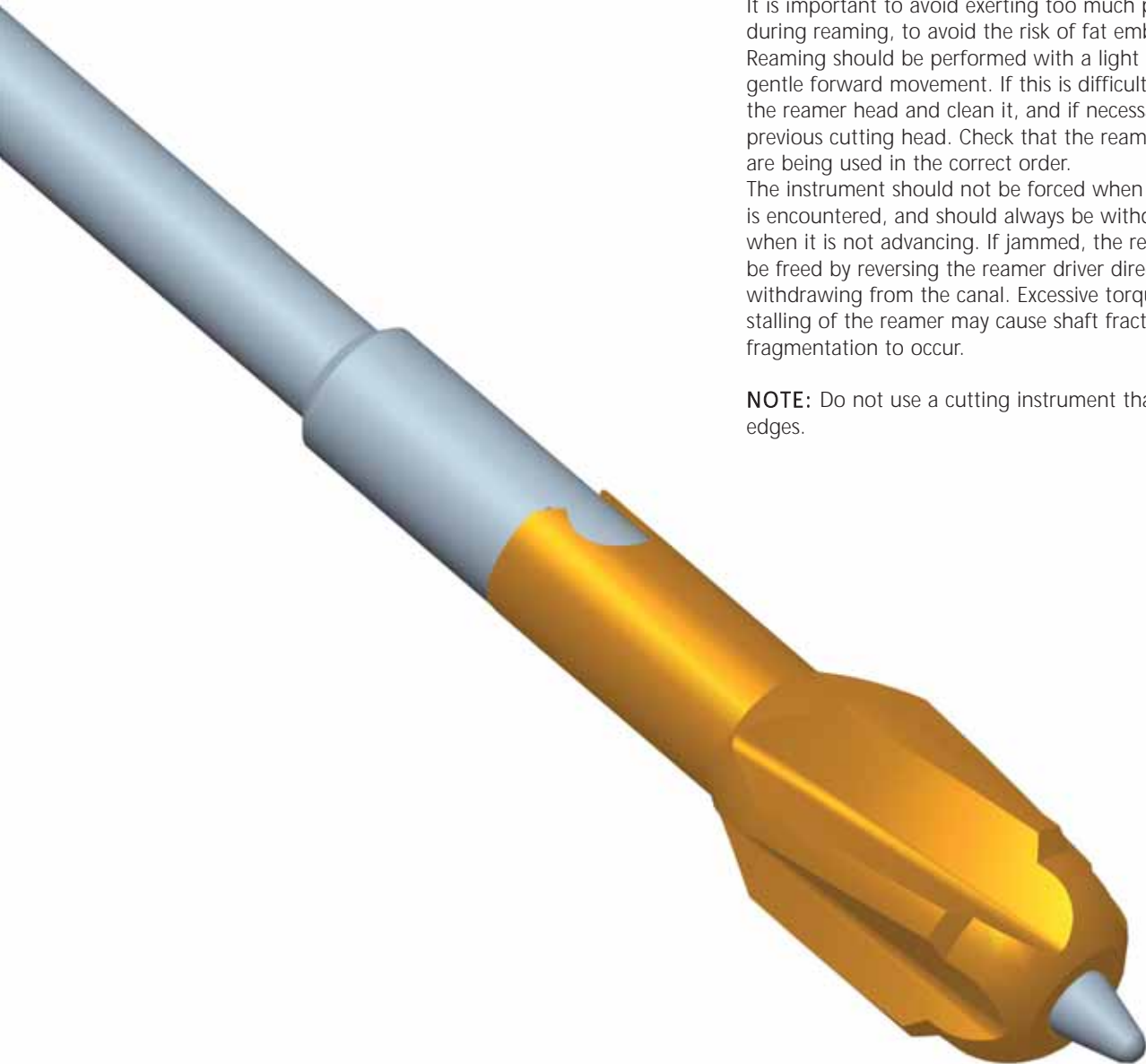


**172220**  
Soft Tissue Protector

Use the fluoroscope to monitor the advancement of the reaming head. Take care not to withdraw the guide wire when the reamer is extracted, and whenever there is any doubt re-check the position with fluoroscopy before passing the next reamer. The reamer size should be increased in 0.5mm steps until the desired size is reached.

It is important to avoid exerting too much pressure during reaming, to avoid the risk of fat embolism. Reaming should be performed with a light touch and gentle forward movement. If this is difficult, remove the reamer head and clean it, and if necessary pass the previous cutting head. Check that the reaming heads are being used in the correct order. The instrument should not be forced when resistance is encountered, and should always be withdrawn when it is not advancing. If jammed, the reamer can be freed by reversing the reamer driver direction and withdrawing from the canal. Excessive torque and/or stalling of the reamer may cause shaft fracture and fragmentation to occur.

**NOTE:** Do not use a cutting instrument that has dull edges.











Manufactured by: ORTHOFIX Srl.  
Via Delle Nazioni 9  
37012 Bussolengo (Verona)  
Italy

Telephone +39-0456719000  
Fax +39-0456719380



Your Distributor is:

Deformity Correction | Trauma | Pediatrics | Bone Growth Stimulation